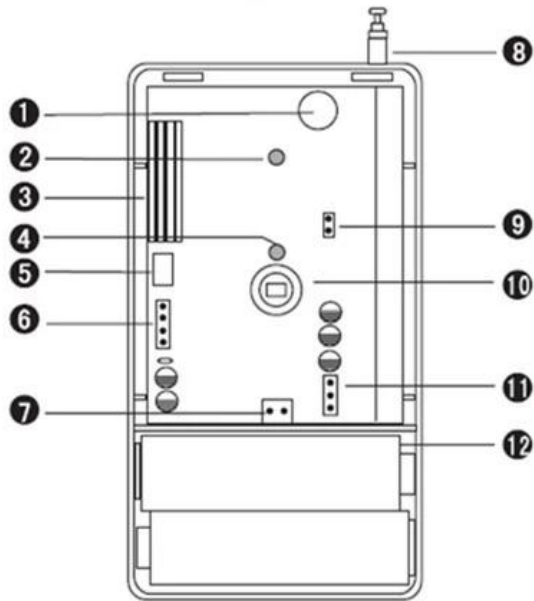




## PRODUCT PROFILE



- |                   |                |
|-------------------|----------------|
| ① Filter          | ⑦ Power Switch |
| ② Alarm indicator | ⑧ Antenna      |
| ③ Code Jumper     | ⑨ LED Jumper   |
| ④ Low battery LED | ⑩ IR Sensor    |
| ⑤ Test button     | ⑪ Delay Jumper |
| ⑥ Range jumper    | ⑫ Battery      |

## ● Dimesion Picture

**SMQT**



## ● Installations

**SMQT**



● Features

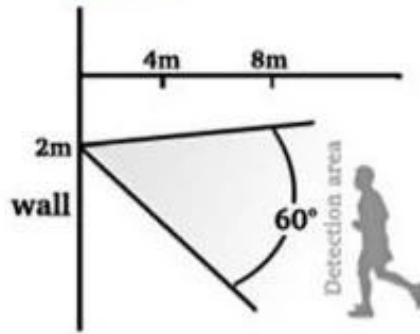
**SMQT**

- 1. ASIC
- 2. Auto
- 3. Send RF
- 4. Adjustable
- 5. Low
- 6. SMT

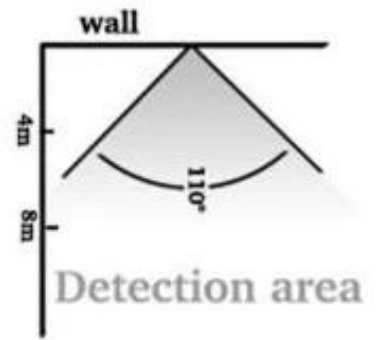


PIR sensor

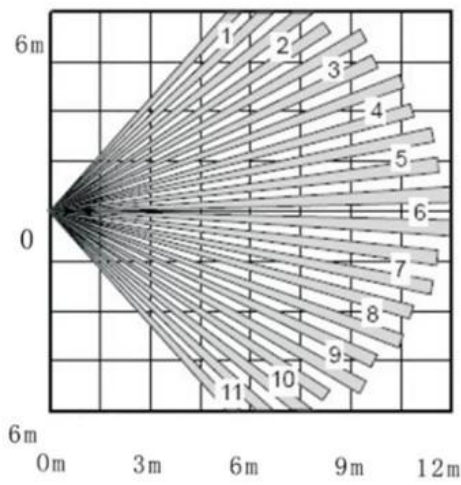
Side view



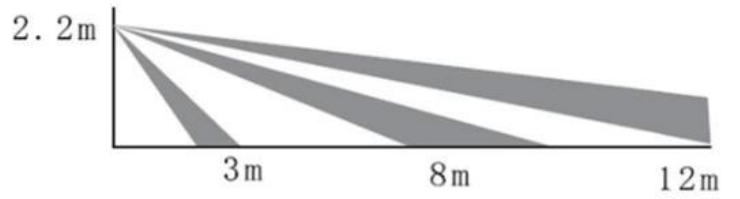
Overhead view



Detecting Area View



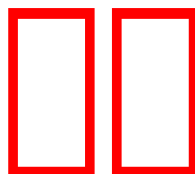
Planform



Side View

● Packing list

SMOT





□□□□:	100 □□□□ / □□□□
□□□□□□□□□□□□□□:	0.55 * 0.41 * 0.29 □□□□
□□□□□□□□□□□□:	16.5kg / □□□□

● Office

SMQT



● Exhibitions

2011 Brazil Fair



2012 Shenyang Fair



2013 Jinan Fair



2013 Shenzhen Fair



2012 Shenyang Fair



2013 Shenyang Fair



2013 Shenzhen Fair



2015 Shenzhen Fair

.....